



## Donut

### Features

- Edison LED's
- b,a,g / Fulham Driver
- 3000K / 4000K / 6500K or TW 3000K to 6500K
- Ra>80

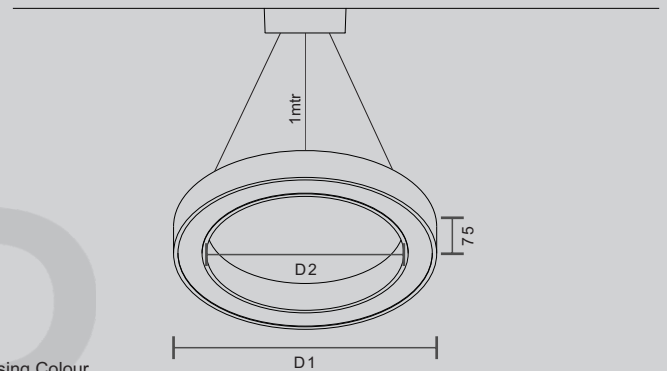


### Options

- Through wiring
- Dimmable options
- Occupancy sensor
- **Micro Prismatic Diffuser**



### Dimension in mm



### Housing Colour



High-quality aluminium with powder coated finish in  
RAL9005 Black texture | RAL9016 White texture | RAL9006 Grey texture

## Technical Specifications

### General

Driver	: Constant Current
Input Voltage	: 220-240Vac
Operating Temperature	: 25°C ~ 55°C

### Light Source

LED	: Edison 2835
CRI (Ra)	: >80
LED Colour Temperature	: 3000K, 4000K, 6500K
LED Lifetime	: >40000hrs
Efficacy	: 120lm/W

### Optical

Tilt	: Fixed
Beam Angle	: 100°
Diffuser	: Opal P.S 70% (<1200mm) Opal PMMA 60% (>1200mm)

### Physical

Body	: High-Grade Extruded Aluminum
Mounting	: Suspension cable (1mtr standard)
Finish	: White(RAL9016) Black(RAL9005) Grey (RAL9006)

### Driver

Power Supply	: Integral
Power Factor	: >0.90
THD	: <10%
Surge Protection	: 2.5kV

**\*Customization on request**



microprismatic (UGR ≤ 19)

## Direct - Pendant

ID	D1	D2	Wattage	Luminous Flux
450mm	450mm	300mm	30W	3520lm
600mm	600mm	450mm	40W	4770lm
750mm	750mm	600mm	50W	6120lm
900mm	900mm	750mm	60W	7220lm
1050mm	1050mm	900mm	70W	8300lm
1200mm	1200mm	1050mm	80W	9600lm
1500mm	1500mm	1350mm	100W	11400lm
1800mm	1800mm	1650mm	150W	17200lm
2400mm	2400mm	2250mm	200W	23500lm

## Shapes

